

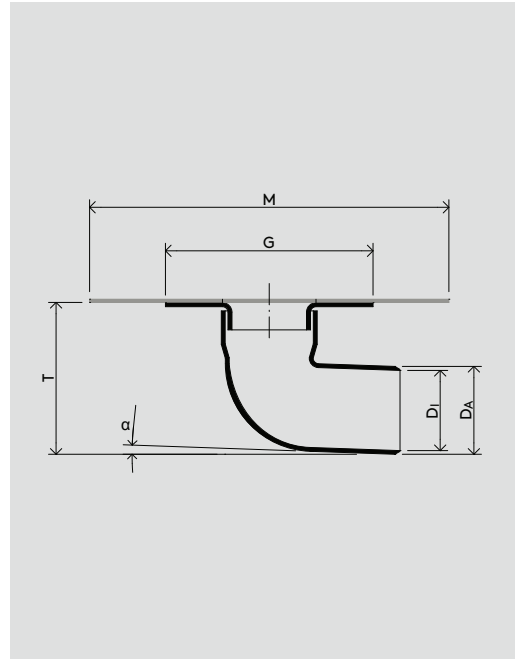
b/s/t PVC Side-Outlet Drain

Specification ← Material
PVC-U, high impact strength,
UV-stabilised

Membrane flange
PVC, EVA
(see page 152)

INFO

Please order ←
membrane
flange
separately



WG 1112 ←

Nominal Width	Product No.	DAØ [mm]	D1Ø [mm]	G [mm]	M [mm]	T [mm]	α [°]	Q* [l/sek]	hg** [mm]
DN 50	127-050	50	46,4	150	300	80	3	0,90	35
DN 70	127-070	75	71,4	180	350	110	3	4,40	35
DN 100	127-100	110	105,4	230	500	160	3	6,00	35
DN 125	127-125	125	120,0	230	500	175	3	9,00	45
DN 150	127-150	160	153,6	260	500	225	3	10,60	45

* Q [l/sek] Discharge capacity at the water level hg at the gully

** hg [mm] Water level height/pressure height at the drain

Status: 03/20 b/s/t GmbH Koch Kunststofftechnologie reserves the right to make technical modifications.