

b/s/t Lightning Conductor Holder BSH

Specification ←

Material

PVC-U, high impact strength,
UV-stabilised

Colour

Light grey (further colours on request*)

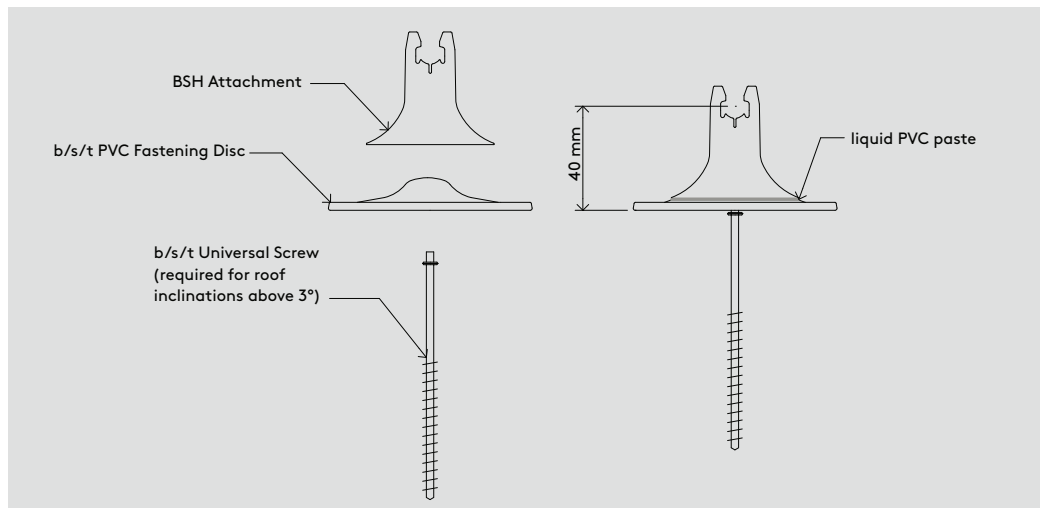
For wire gauge 8 mm

Minimum order quantity

100 units

Note

Only in connection with b/s/t PVC fastening disc. The holder can be fixed to the roof deck using the b/s/t disc fastener with additional screw (see page 109).



WG 511 ←

Type

BSH Attachment

b/s/t PVC Fastening Disc

Universal Screw

Product No.

541-GR1

521-GR1

Various lengths and designs

* Custom-made products cannot be returned.

Status: 03/20 b/s/t GmbH Koch Kunststofftechnologie reserves the right to make technical modifications.