

b/s/t Snow Guard System

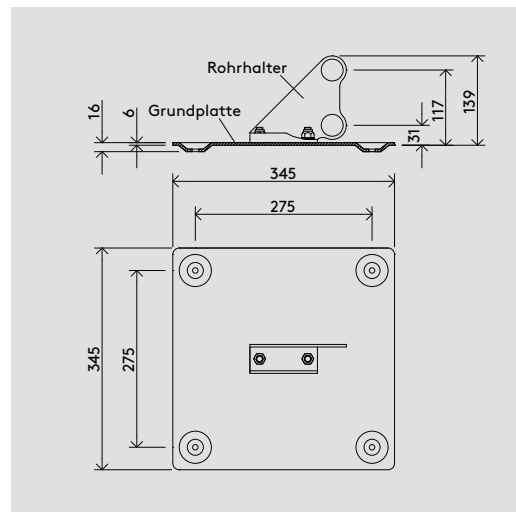
Specification ← **Material**
 The b/s/t Snow Guard System consists of the following components: galvanised base plate with fixing material (optional) and bracket for snow guard pipes (stainless steel A 1.4301). The snow guard pipes are not included in scope of delivery. A standard galvanised steel pipe (Ø 33.7 mm, gauge 2.0 mm) – in combination with pipe connectors can be used as a snow guard

pipe.
 The specific alignment of the snow guard system is calculated by b/s/t for every single project.
 The forces on the roof substructure caused by the Snow Guard System must be verified by the responsible structural designer of the building project.

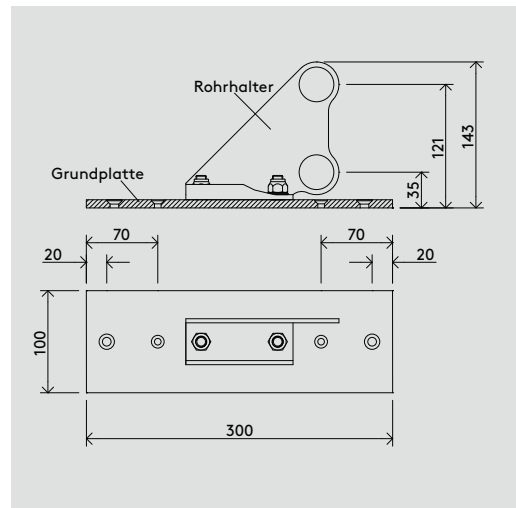
INFO The b/s/t ←
 Snow Guard System can be set directly on the roofing membrane and is fixed to the deck of the roof (trapezoidal metal, timber or concrete).
 The Type 1 system is independent of the position and existence of girders or binders.
 Free calculation ← of quantity
 Please ask for ← prices and delivery times!



Type 1: for trapezoidal metal decks



Type 2: for timber decks



WG 1125 ← Type	Product No.
Snow guard system Type 1	821-000
Snow guard system Type 2	822-000

* Custom-made products cannot be returned.
 Status: 03/20 b/s/t GmbH Koch Kunststofftechnologie reserves the right to make technical modifications.