

b/s/t Snow Stop Device

Specification ← Material
PVC-U, high impact strength,
UV-stabilised

Height
30 mm

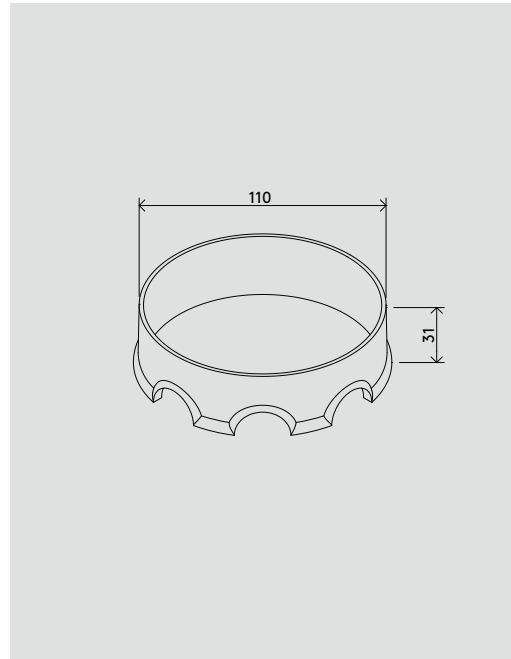
For welding onto the roof membrane using
liquid PVC paste

Colour
Light grey

Special model*
Special colours on request

INFO

Free ←
calculation of
quantity



WG 1115 ← Type
Ø 110 mm light grey

Product No.
850-GR1

* Custom-made products cannot be returned.
Status: 03/20 b/s/t GmbH Koch Kunststofftechnologie reserves the right to make technical modifications.